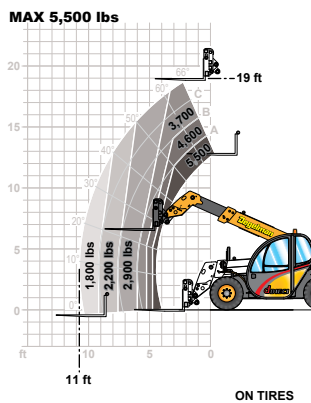
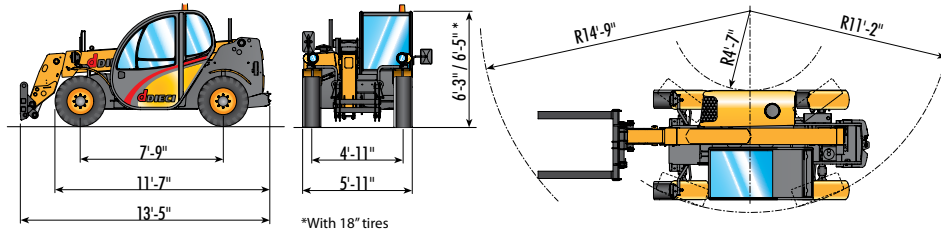


# APOLLO 25.6



# SUPER COMPACT

- PERFORMANCE**
  - Maximum lifting capacity.....5,500 lbs
  - Maximum lifting height ..... 19.0 ft
  - Maximum reach.....11 ft
  - Fork angle.....130 °
  - Towing Force.....9,891 lbf
  - Maximum allowable slope.....40 %
  - Total empty weight.....10,560 lbs
  - Max speed (18" tire).....16 mph
- TRANSMISSION**
  - Transmission Hydrostatic with variable capacity pump
  - Hydraulic engine.....Automatic change
  - Gear reversing.....Electro hydraulic
  - Inching pedal for controlled forward movement
  - 1-speed gear
- HYDRAULIC CIRCUIT**
  - Gear pump at full capacity.....21 gal/min
  - Max working pressure.....2901 PSI
  - Proportional joystick controls.....3 in 1 or 4 in 1
- DIFFERENTIAL AXLES**
  - Steering axes.....2, with planetary reduction gears
  - Type of steering.....4 wheel / crab / 2 wheel
  - Front axle.....Rigid
  - Rear axle.....Oscillating

- ENGINE**
  - ENGINE YANMAR - 71 hp
  - Maximum power.....71 hp at 2,500 rpm
  - Type, injection.....four-stroke injection, direct
  - Cylinders number and layout.....4, vertical in line
  - Displacement.....203 cu. in.
  - Cooling system.....liquid
- TANK CAPACITY**
  - Hydraulic circuit.....18 gallons
  - Fuel tank.....21 gallons
- STANDARD DEVICES**
  - CE certified, ANSI/ITSDF B56.6.205, CSA Standard B354.4-02
  - Closed soundproof cab ROPS - FOPS, with heating.
  - One set of hydraulic couplers for possible accessories on boom head
  - Self-locking front axle differentials
  - ATP (Anti Tipping Protection, with block for hazardous movements)
- TIRES**
  - Standard (INDUSTRIAL LUG).....12-16.5" N.H.S.
  - Optional (INDUSTRIAL LUG)....12.0/75-18" TR-03

